



Description

idea Thermal CutOff (iTCO) is a fuse that uses low melting point alloys as the electrical connection point of the main circuit, with built-in heater as the control circuit, to achieve controlled fusing function. idea Thermal CutOff (iTCO) is consist mainly of Bracket, Feed Heater, Electrode, Heat conducting sheet, Alloy Thermal-Link, Flux Resin, Thermal Element, Cover and Lead wire, sealed in plastic or ceramic housings.

idea Thermal CutOff (iTCO) is mainly used in the protection of new energy security, and secondary protection for charging and discharge circuits. idea Thermal CutOff (iTCO) mainly uses two electrodes which are connected with the thermal element of the fusing elements as electrical connections with passive temperature-sensing fusing actions. At the same time, Built-in heater with independent over-temperature protection heats the thermal element, provides sufficient heat to the fuse, cuts off the main circuit and disconnects the control circuit to achieve self-protection.

SETsafe | SETfuse idea Thermal CutOff (iTCO) TRRxxx-R Series covers Rated Current 100 A, Rated Voltage: 500 VDC, 250 VDC, Rated Functioning Temp. 150 °C, with UL, cUL Approvals and RoHS, REACH compliant.

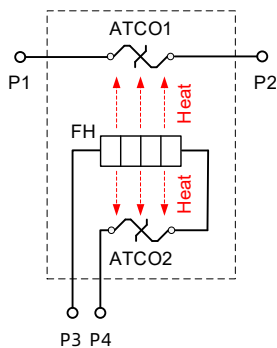
Features

- Low Impedance, Low Power Consumption
- MC Controlled Fusing Time ≤ 60 s
- Non-Resettable
- Active Control
- Over Temp. Protection
- Self-Control Protection
- RoHS and REACH Compliant

Application

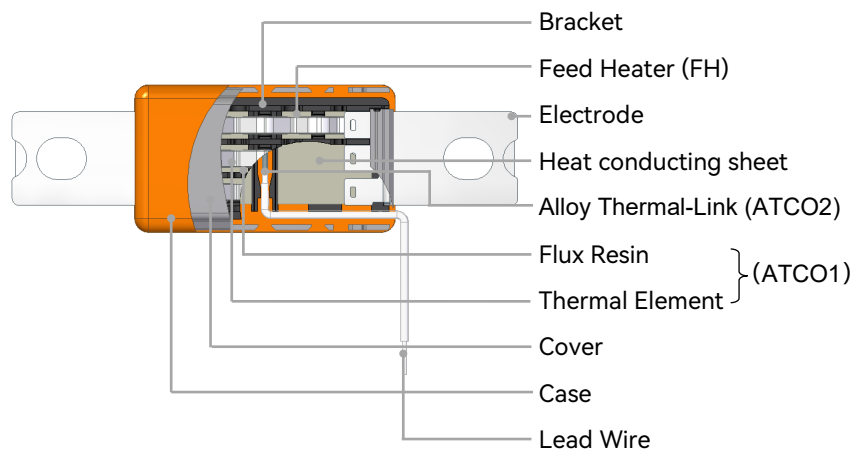
- Electric Motorcycle, Electric Golf Cart, Electric Yacht
- Home Energy Storage
- Base Station Power Supply, Battery

Product Schematic



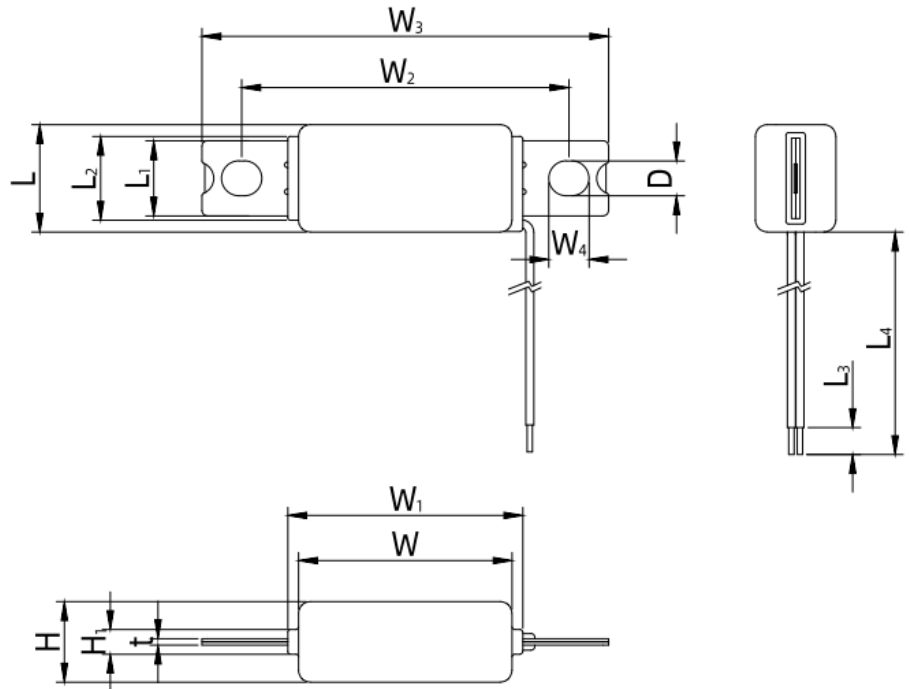
- P1 ~ P2 MC
- P3 ~ P4 CC

Structure Diagrams





Dimensions (Unit: mm)

L	23.0 ± 2.0
L ₁	14.5 ± 0.5
L ₂	18.0 ± 2.0
L ₃	3.0 ± 0.5
L ₄	70.0 ± 5.0
W	40.0 ± 2.0
W ₁	44.0 ± 2.0
W ₂	61.0 ± 1.0
W ₃	76.0 ± 2.0
W ₄	7.5 ± 5.0
t	1.6 ^{+0.2} ₋₀
D	6.5 ± 0.5
H	16.8 ± 1.5
H ₁	10.6 ± 1.0

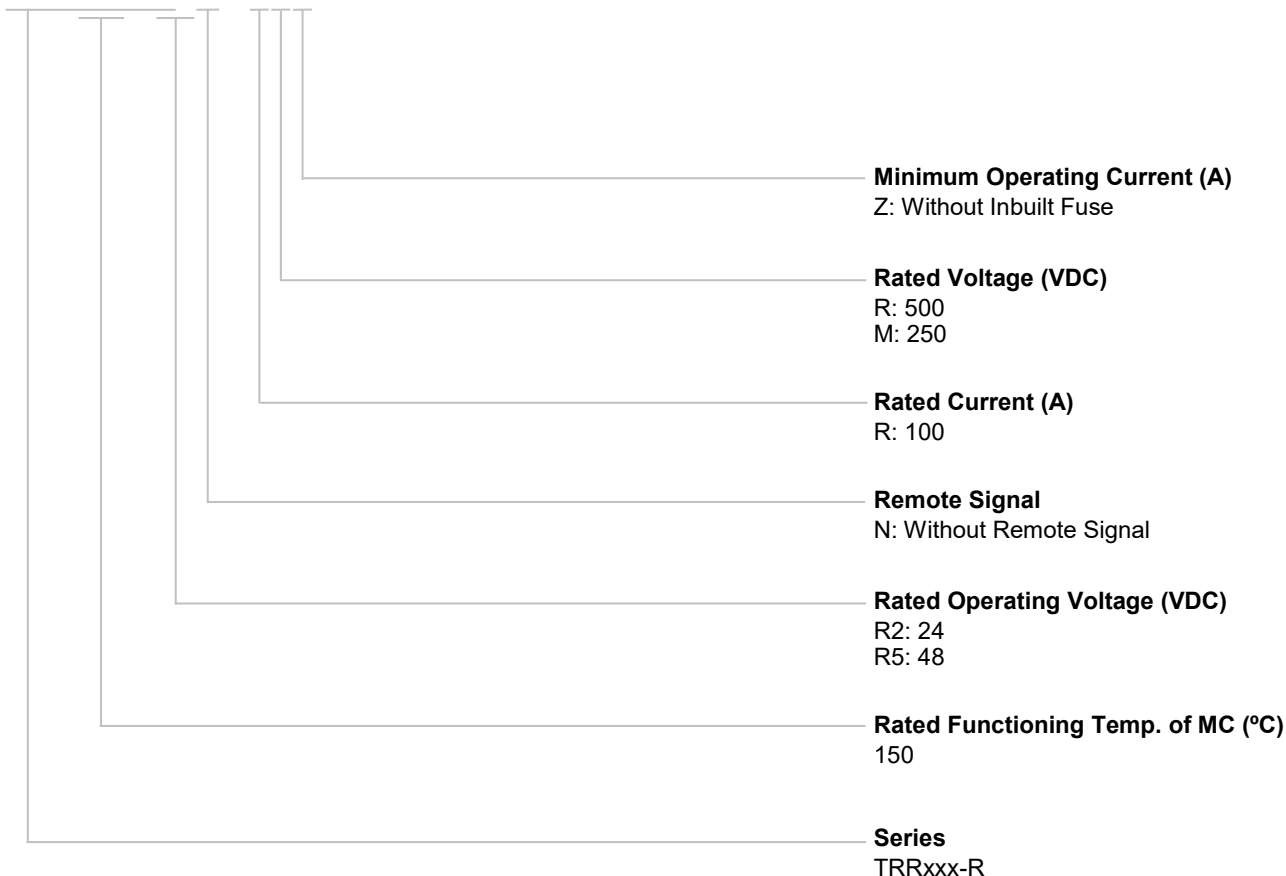


Agency Information

Agency Symbol	Standards	The File No. and certification No. obtained by SETsafe SETfuse
	UL60691	E214712
	CAN-CSA-E60691	E214712

Part Number System

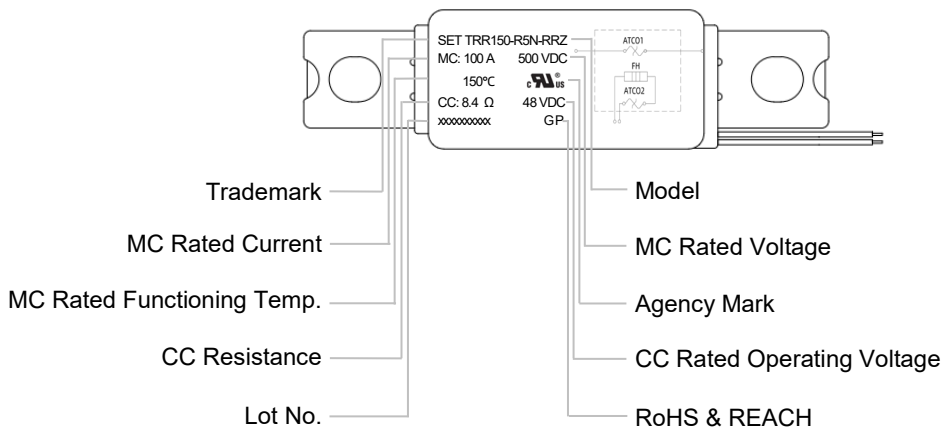
TRR150 - R5N - RRZ



Reminder:

Part numbering system in the datasheet is only for selecting correct parameter and product features. Before placing order, please contact us for specifications and use the part number and product code in the specifications to place order to ensure the part is correct. Product code is the unique identification.

Marking



Specifications

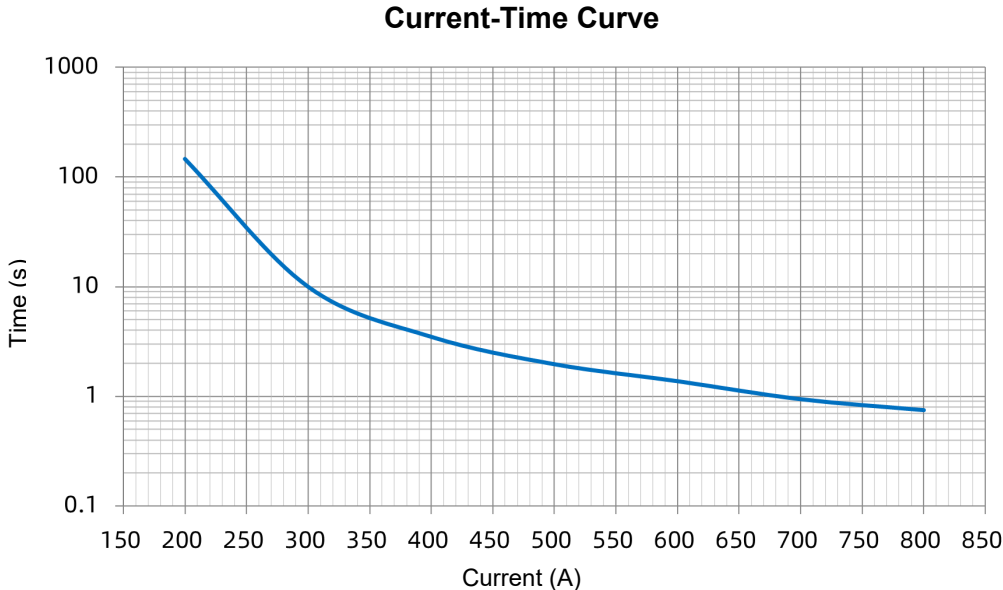
Rated Functioning Temp. (T_f) °C	Model	Main Circuit Specifications					Control Circuit Specifications		Fusing Time		Agency Information		RoHS REACH
		I_r	U_r	Fusing Temp.	T_h	T_m	Rated Operating Voltage	Resistance	t_{mc} (P1 ~ P2)	t_{cc} (P3 ~ P4)	UL®	cUL®	
		(A)	DC(V)	(°C)	(°C)	(°C)	DC (V)	(Ω)	(s)	(s)	UL	cUL	
150	TRR150-R2N-RRZ	100	500	146 ± 3	85	180	24	2.0 ± 0.4	≤ 60	$t_{mc} + (0 \sim 30)$	●	●	●
	TRR150-R5N-RRZ	100	500	146 ± 3	85	180	48	8.4 ± 2.0	≤ 60	$t_{mc} + (0 \sim 30)$	●	●	●
	TRR150-R5N-RMZ	100	250	146 ± 3	85	180	48	8.4 ± 2.0	≤ 60	$t_{mc} + (0 \sim 30)$	○	○	●

Note:

1. "●" Means certificated, "○" Means non-certificated.
2. RoHS and REACH Compliant.

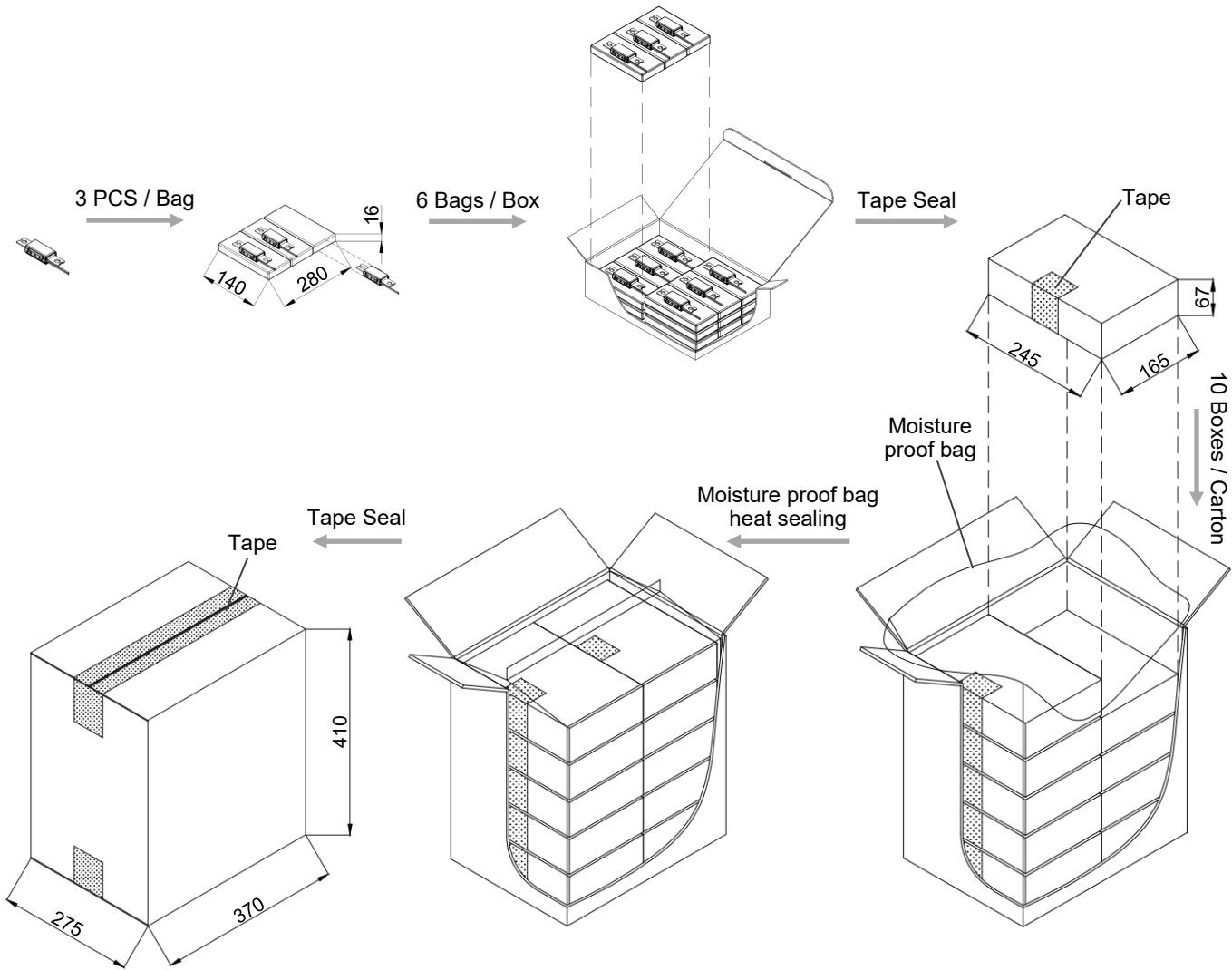
Current-Time Curve (For reference only)

The Current-Time Curve shows functioning time at Multi-times rated current in the condition of the room Temp. 25 °C.



Packaging Information

Item	PE Bag	Box	Carton
Dimensions (mm)	280 x 140 x 16	245 x 165 x 67	370 x 275 x 410
Quantity (PCS)	3	18	180
Gross Weight (kg)			11.45 ± 10%



Glossary

Item	Description
iTCO	idea Thermal CutOff Protector that can fuse itself after receiving control signal.
FH	Feed Heater Electric appliances that use electric energy to achieve heating effect.
MC	Main Circuit All conductive components used in switching devices for closing or disconnecting circuits in a circuit.
CC	Control Circuit In addition to the MC, all conductive parts of the switching apparatus used in the access circuit as the closing operation and / or opening operation of the switching apparatus.
I_r	Rated Current The current used to classify an idea Thermal CutOff (iTCO) , which is the Maximum current that idea Thermal CutOff (iTCO) allows to carry and is able to cut off the circuit safely.
U_r	Rated Voltage The voltage used to classify an idea Thermal CutOff (iTCO) , which is the Maximum voltage that idea Thermal CutOff (iTCO) allows to carry and is able to cut off the circuit safely.
T_f	Rated Functioning Temp. The temperature of the Thermal-Link which causes it to change the state of conductivity with a detection current up to 10 mA as the only load. Tolerance: T_f (0 / -10) °C (GB 9816, EN 60691, K60691). Tolerance: $T_f \pm 7$ °C (J60691).
Fusing Temp.	Fusing Temp. The temp. of the idea Thermal CutOff (iTCO) which causes it to change its state of conductivity is measured with silicone oil bath in which the temp. is increased at the rate of (0.5 to 1) °C /minutes, with a detection current less than 10 mA as the only load.
T_h	Holding Temp. The Maximum temp. at which idea Thermal CutOff (iTCO) will not change its state of conductivity when conducting rated current for 168 h.
T_m	Maximum Temp. Limit The temp. of the idea Thermal CutOff (iTCO) stated by the manufacturer, up to which the mechanical and electrical properties of the idea Thermal CutOff (iTCO) having changed its state of conductivity, will not be impaired for a given time.



ATTENTION

Usage

1. When atmosphere press is from 80 kPa to 106 kPa, the related altitude shall be from -500 m to 2000 m.
2. Operating voltage shall be less than rated voltage of idea Thermal CutOff (iTCO), operating current shall be less than rated current of idea Thermal CutOff (iTCO).
3. Do not touch the idea Thermal CutOff (iTCO) body or electrode lead directly when power is on, to avoid burn or electric shock.

Electrical Connections

Mechanical Connection MC

1. The product surface must not be damaged.
2. If adding terminals to electrode leads, make sure the electrode without grease or other foreign matters, and use the same cross-section connection terminal, otherwise the electrode may heat abnormally.
3. If locking with screw, to prevent loosening, please add gasket and use proper screw when installing the product. Ensure that the screw tightening torque meets the requirements.

Soldering CC

1. Soldering should be carried out under the soldering conditions listed in table - 1.
2. Feed Heater and remote signal CC, improper soldering operation (too high soldering temperature, too long soldering time, too short lead wire etc.) may cause CC to open in advance.
3. When soldering conditions are more severe than those listed in table - 1, a heat sink fixture should be used between solder point and idea Thermal CutOff (iTCO) body.

Table - 1 Hand - Soldering Time (s)

The Max. Allowable Soldering Time for Different Lead Length (s)						Max. Soldering Temp.
Lead Length	Max. Allowable Soldering Time	Lead Length	Max. Allowable Soldering Time	Lead Length	Max. Allowable Soldering Time	
(mm)	(s)	(mm)	(s)	(mm)	(s)	(°C)
≤ 10	3	10 ~ 20	5	20 ~ 30	5	400

Test Methods

Cold Resistance Test

1. If product TCR is not less than 350 E (-6) / °C and the test ambient Temperature is during 15 °C to 35 °C, the measured resistance value shall be corrected as the relative resistance value under 25 °C according to TCR formula.
2. Resistance measurement (Four - point probe).

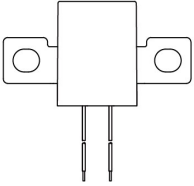
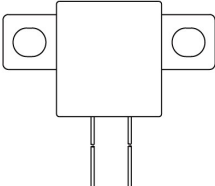
Replacement

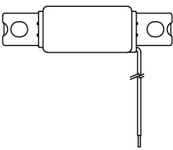
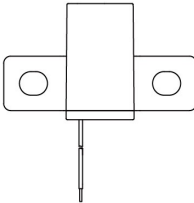
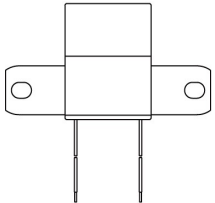
idea Thermal CutOff (iTCO) is the non-resettable product, for safety sake, please use the same type of idea Thermal CutOff (iTCO) for replacement.

Storage

And idea Thermal CutOff (iTCO) must be kept in a place with no sunshine or no pollution, with temp. (10 to 30) °C and humidity within (30 to 70) %, To avoid influencing the solder-ability of the leads and influencing contact resistance, please use them up within 1 year after receiving the goods.

idea Thermal CutOff (iTCO) Features & Model List Overview

Rated Functioning Temp. T_f (°C)	Model					
	150	TPH150-RxN-JPZ	JS150-RxN-LKZ	JS150-RxN-MKZ	JS150-RxN-PKZ	JS150-RxN-QHZ
145	○	○	○	○	○	○
136	○	○	○	○	○	○
I_r (A) Rated Current	20	30	40	60	80	100
U_r (VDC) Rated Voltage	400	150		100		
Product Structure						
	Flat electrode		Flat electrode			

Rated Functioning Temp. T_f (°C)	Model					
	150	TRR150-RxN-RRZ	TKS150-RxN-SJZ	TKT150-RxN-TJZ	○	○
145	○	○	○	THU145-RxN-UGZ	THU145-RxN-WGZ	
136	○	○	○	○	○	○
I_r (A) Rated Current	100	120	150	200	270	270
U_r (VDC) Rated Voltage	500	125		80		
Product Structure						
	Flat electrode	Flat electrode		Flat electrode		